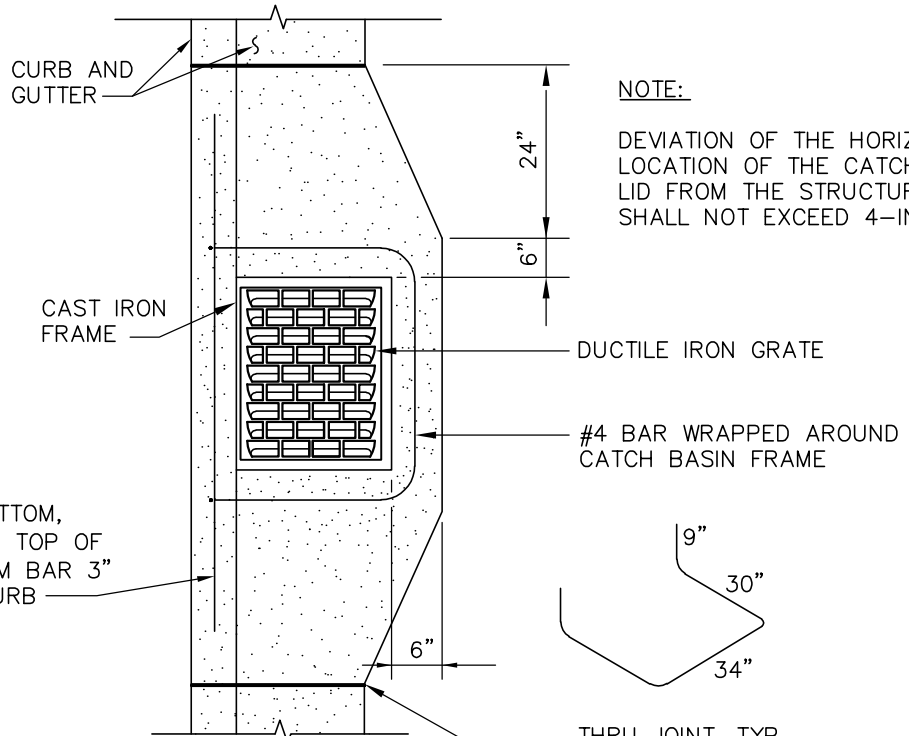


**FRAME AND GRATE:**

1. THE FRAME AND GRATE SHALL BE EITHER VANED, BI-DIRECTIONAL VANED, OR A SOLID LOCKING COVER AS INDICATED IN THE APPROVED PLANS OR AS DIRECTED BY THE CITY.

2. MATERIALS AND SPECIFICATIONS FOR FRAMES AND GRATES SHALL BE PER THE WSDOT STANDARD PLANS AND SPECIFICATIONS

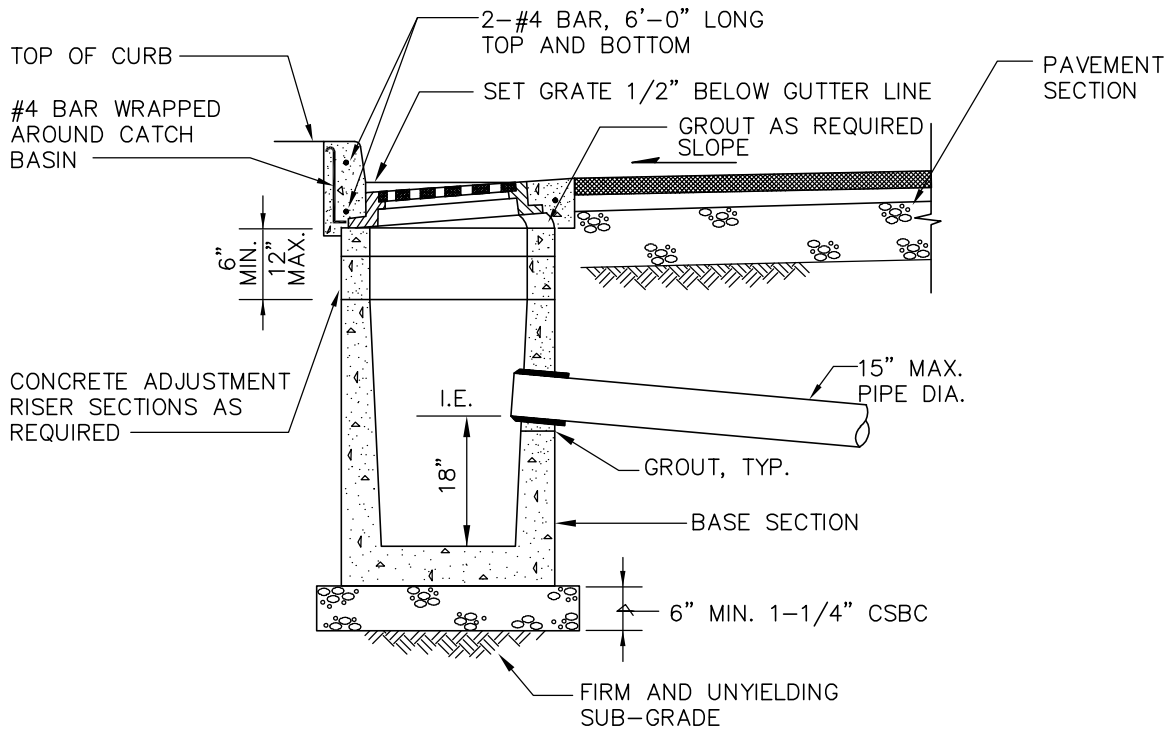
2- #4 x 6' TOP AND BOTTOM, PLACE TOP BAR 3" FROM TOP OF THE CURB, PLACE BOTTOM BAR 3" FROM BOTTOM OF THE CURB



**NOTE:**

DEVIATION OF THE HORIZONTAL LOCATION OF THE CATCH BASIN LID FROM THE STRUCTURE SHALL NOT EXCEED 4-INCHES

**PLAN**



**ELEVATION**

**NOTES:**

1. PRE-FORMED CONCRETE MASONRY BRICKS SHALL BE USED TO ADJUST RIM TO THE FINISHED GRADE.
2. TYPE I CATCH BASIN IS USED FOR DEPTHS LESS THAN 5'-0" FROM THE TOP OF THE GRATE TO I.E. (INVERT)

Approved:

City Engineer

September 28, 2020

Date

STORM DRAIN STANDARD DETAIL



Dwg No:

**SD2**  
**CATCH BASIN**  
**TYPE I**